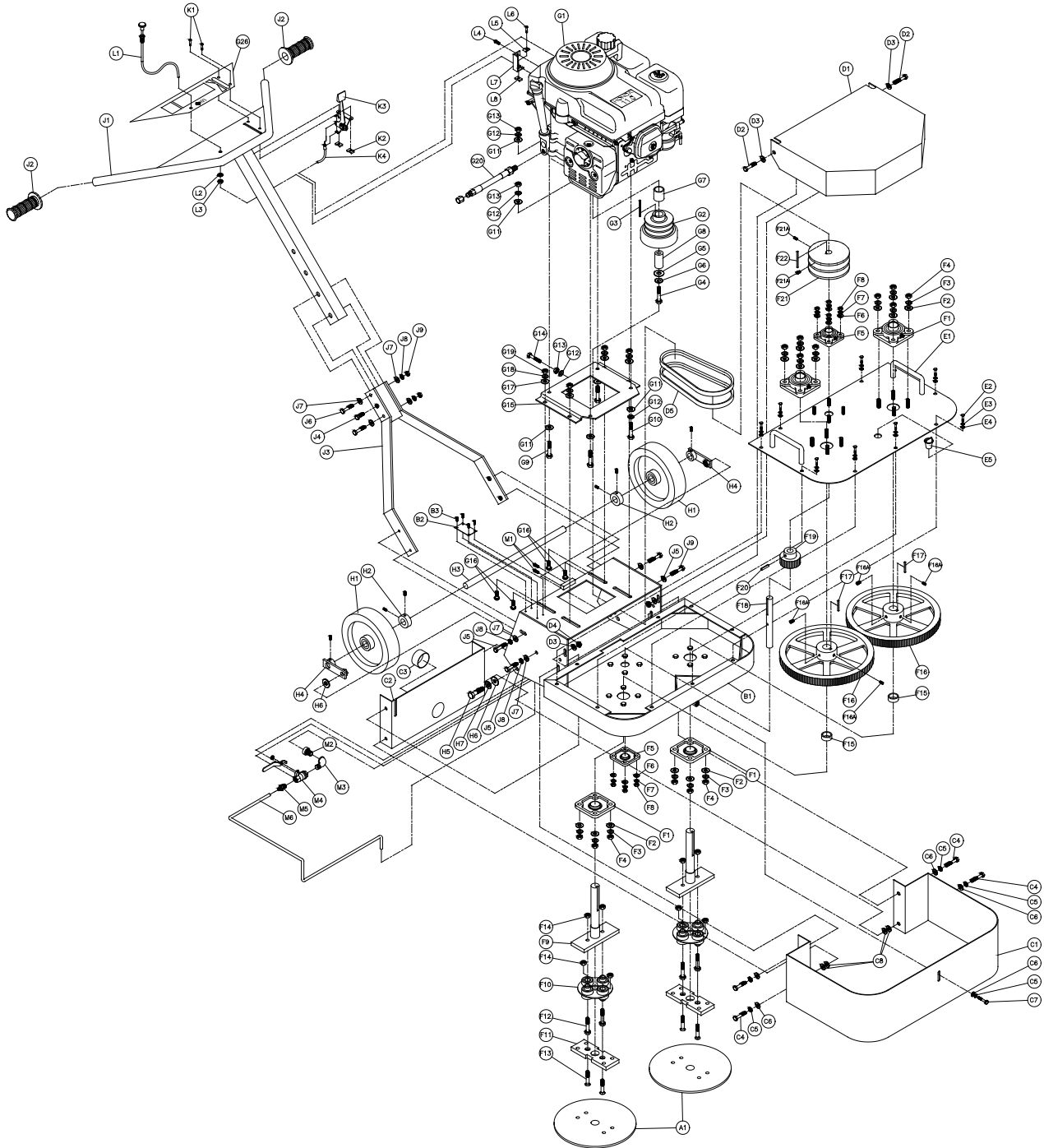
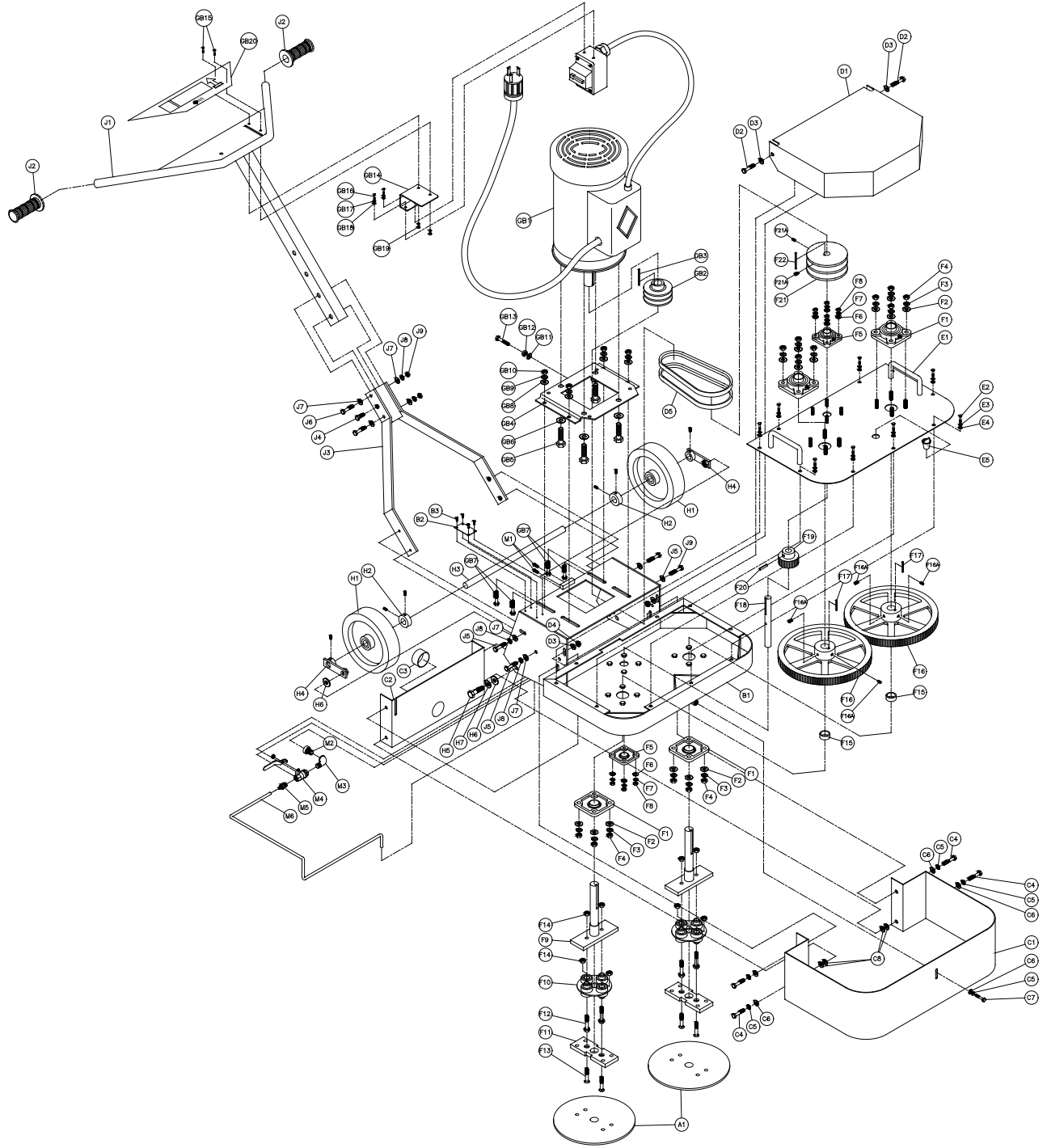
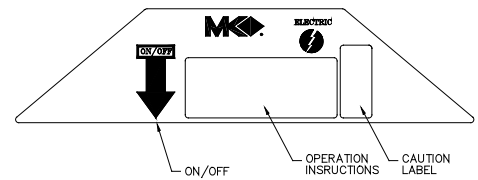
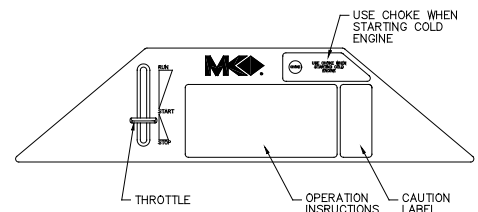
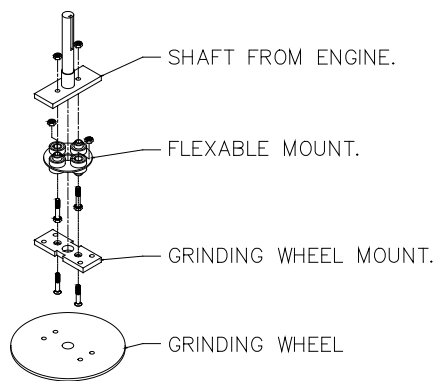
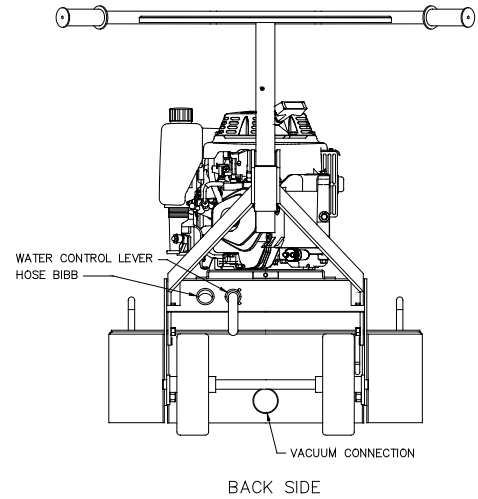
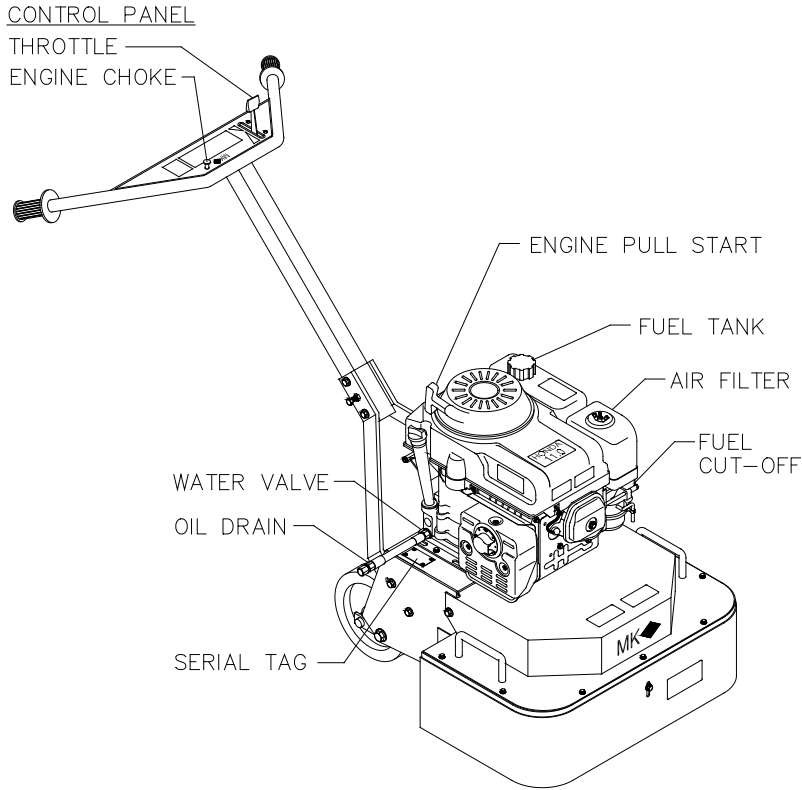


EXPLODED VIEW WITH GAS ENGINE



EXPLODED VIEW WITH ELECTRIC MOTOR





Item	Description	Part #	Qty
A	Assembly, Accessory Pack	-	-
A1	Grinding Wheels 10" (Reference only)	reference	0
A2	Pallet (not shown)	157700	1
A3	Carton, DDG-11 Grinder (not shown)	157701	1
A4	Carton, DDG-11 Top (not shown)	158369	1
A5	Carton, DDG-11 Inserts (not shown)	158370	2
A6	Tube, Owner's Manual (not shown)	155419	1
A7	Manual, Owner's (not shown)	157499	1
A8	Bolt, Hex HD, 3/8-24 x 1 Grinding Disk, Mounting	157803	8
A9	Washer, 3/8 Split Lock	150925	8
A10	Washer, 3/8 Flat SAE	150923	8
B	Assembly, Frame	157381	1
B1	Frame Weldment	157068	1
B2	Plate, Serial Number	157500	1
B3	#7 X 5/16 Drive Screw	157849	4
B4	Label, Water Shut Off/On	154404	1
C	Assembly, Apron	-	1
C1	Apron,	157064	1
C2	Plate, Vacuum	157255	1
C3	Cap, Vacuum Attachment	157503	1
C4	Screw, 5/16-18 x 1-1/4 Hex Head	153950	4
C5	Washer, 5/16 lock, split	151747	5
C6	Washer, 5/16 SAE Flat	151754	5
C7	Screw, 5/16-18 x 3/4 Hex Head	151369	1
C8	Label, Caution, Hands and Feet	155585	1
D	Assembly, Belt Guard	-	1
D1	Guard, Belt	157069	1
D2	Screw, 1/4-20 X 1 Hex Head Cap	152676	2
D3	Washer, 1/4 SAE Flat	151915	4
D4	Nut, Hex W/ WSHR 1/4-20 (KEPS)	153941	2
D5	V-Belt (V AX-25)	152403	2
D6	Label, MK Logo Adhesive	157914	1
D7	Label, Caution, Belt Tension	155583	1
D8	Label, Caution, Guards in Place	155587	1
E	Assembly, Gear, Cover	-	1
E1	Cover, Gear	157066	1
E2	Screw, 1/4-20 x 3/4 Hex Head Cap	152370	9
E3	Washer, 1/4 Split Lock	152591	9
E4	Washer, 1/4 SAE Flat	151915	9
E5	Cap, Grease	157915	1
F	Assembly, Components, Gear Box	-	-
F1	Flange unit, 1" dia 4 Bolt (Bearing)	157305	4
F2	Washer, 7/16 Flat SAE	151050	16
F3	Washer, 7/16 Split Lock	151051	16

Item	Description	Part #	Qty
F4	Nut, 7/16-14, Hex	150922	16
F5	Flange unit, 3/4" dia 4 Bolt (Bearing)	157304	2
F6	Washer, 3/8 Flat SAE	150923	8
F7	Washer, 3/8 Split Lock	150925	8
F8	Nut, 3/8-16, Hex	101188	8
F9	Shaft, 1" dia Large Gear	157302	2
F10	Flexible Mount, Morflex (Morse 402 Insert)	157411	2
F11	Mount, Grinding Wheel	157407	2
F12	Screw, 3/8-16 x 2 1/2 Hex HD Cap	156030	4
F13	Screw, 3/8-16 x 2 1/2 Flt. Soc. HD.	157562	4
F14	Nut, 3/8-16, Hex Nylock	152505	8
F15	Bushing, 1 1/4 OD x 1 ID x 1/2 Spacer	157410	2
F16	Gear, 11 1/2" dia Spur (Cast 10P 112T-14 1/2 PA)	157306	2
F17	Key, Square, 1/4 x 1/4 x 1 1/4"	159852	2
F18	Shaft, 3/4" dia Small Gear	157303	1
F19	Gear, 2 1/2" dia Spur (Steel 10P 25T-14 1/2 PA)	157307	1
F20	Pin, 1/4 x 1 1/2" Rolled	157565	1
F21	Pulley, 2AK51H F21A) Bushing, H 3/4 Q.D.	159849 159850	1 1
F22	Key, Square, 3/16 x 3/16 x 1 3/4"	157561	1
G	Assembly, Engine, 11HP Honda	-	1
G1	Engine, Honda GX340k2dx3	157067	1
G2	Clutch, 3 1/2" OD with 1" I.D. 3 1/2" 2 Groove Pulley,	157309	1
G3	Key, Square, 1/4 x 1/4 x 1 1/2"	157560	1
G4	Bolt, 7/16-20 x 3" Hex Head	157678	1
G5	Washer, 1 1/2" USS	157679	1
G6	Washer, 7/16 Split Lock	151051	1
G7	Spacer, 1 1/4" OD, 1" I.D. x 1 3/8"	157680	1
G8	Spacer, 1" OD, 1/2" I.D. x 2"	157681	1
G9	Screw, 5/16-18 x 1 1/2" Hex Head Cap	152467	2
G10	Bolt, 5/16-24 x 1" Hex Head Tap	157646	2
G11	Washer, 5/16 SAE Flat	101352	5
G12	Washer, 5/16 Split Lock	151747	5
G13	Nut, 5/16-18 Hex	101196	3
G14	Bolt, 5/16-18 x 2 3/4" Hex Head Tap	156974	1
G15	Mount, Engine	157071	1
G16	Screw, 3/8-16 x 1" Carriage Bolt	157644	4
G17	Washer, 3/8 SAE Flat	150923	4
G18	Washer, 3/8 Split Lock	150925	4
G19	Nut, 3/8-16 Hex	101188	4
G20	Hose, Oil Drain (20mm)	157577-04	1
G21	Label, Caution, Hot Surface, 1.5 x 3.0	155578	1
G22	Label, Warning, Refueling, 1.5 x 3.0	155580	1
G23	Label, Danger, California, 1.5 x 3.0	155581	1
G24	Label, Danger, Lethal Exhaust, 1.5 x 3.0	155582	1
G25	Label, Caution, Sparkplug	155579	1
G26	Label, Control Panel (Gas)	157075	1

Item	Description	Part #	Qty
GB	Assembly, 5hp Electric Motor		-
GB1	Motor, 5 hp 230v 60hz 1ph, Electric C' face (Lesson / Baldor)	160107	1
GB2	Pulley, 2BK34X 1 1/8	160108	1
GB3	Key, Square, 1/4 x 1/4 x 1 3/4"	150796	1
GB4	Mount, Engine	157071	1
GB5	Screw, 1/2-13 x 1 1/4 UNC Hex Head	153532	4
GB6	Washer, 1/2 Split Lock	153524	4
GB7	Screw, 3/8-16 x 1" Carriage Bolt	157644	4
GB8	Washer, 3/8 SAE Flat	150923	4
GB9	Washer, 3/8 Split Lock	150925	4
GB10	Nut, 3/8-16 Hex	101188	4
GB11	Washer, 5/16 Split Lock	151747	5
GB12	Nut, 5/16-18 Hex	101196	3
GB13	Bolt, 5/16-18 x 2 3/4" Hex Head Tap	156974	1
GB14	Bracket, Switchbox (previous #227269)	160110	1
GB15	Screw, 1/4-20 x 3/4" Pan HD Phil Cap	227270	2
GB16	Screw, 1/4-20 x 1/2 Hex Head Cap	152608	2
GB17	Washer, 1/4 Split Lock	152591	4
GB18	Washer, 1/4 SAE Flat	151915	4
GB19	Nut, 1/4-20 Hex	151893	2
GB20	Label, Control Panel, (Electric)	160109	1
H	Assembly, Axle	-	1
H1	Wheel, 8"Dia. X2	155986	2
H2	Collar, 3/4 set	153814	2
H3	Axle, 3/4 Dia.	157065	1
H4	Mount, Wheel Shaft,	157072	2
H5	Screw, 1/2-13 x 1 1/4 UNC Hex Head	153532	2
H6	Washer, 1/2 SAE Flat	150924	4
H7	Washer, 1/2 Split Lock	153524	2
J	Assembly, Handlebar (Top & Bottom)	-	1
J1	Handlebar, Top	157260	1
J2	Handgrip	150842	2
J3	Handlebar, Bottom	157070	1
J4	Screw, 3/8-16 X 1 Hex Head Cap	152507	1
J5	Screw, 3/8-16 X 1 1/4 Hex Head Cap	150774	4
J6	Screw, 3/8-16 X 3 Hex Head Cap	153113	4
J7	Washer, 3/8 SAE Flat	150923	8
J8	Washer, 3/8 Split Lock	150925	6
J9	Nut, 3/8-16 Hex	101188	2
K	Assembly, Throttle, Honda	-	1
K1	Screw, (Phil) Self Tap 10-24 x 5/8	153681	2
K2	Nut, 10-24 Clip	155407	2
K3	Assembly, Throttle Head	155406	1
K4	Cable, Throttle, Honda	156640	1
L	Assembly, Choke, Honda	-	1

Item	Description	Part #	Qty
L1	Cable, Choke	154210	1
L2	Washer, 3/8 SAE Flat	150923	4
L3	Nut, 3/8-24 Hex, Jam	156623	1
L4	Screw, 10-32 X 1/2" Pan Head Phillips Cap	151052	1
L5	Clamp, Transmission Control	154383	1
L6	Screw, (Phil) Self Tap 10-24 x 5/8	153681	1
L7	Clip, Choke Cable	157504	1
L8	Nut, 10-24 Clip	155407	1
M	Assembly, Water Valve	-	1
M1	Screw, 10-24 x 3/8 Phillips Head Self-Tapping Cap	151262	2
M2	Fitting, Brass, 1/2 MNPT x Garden Hose Swivel	151322	1
M3	Elbow, 1/2 MNPT 90° Street Galvanized	150844	1
M4	Valve, Shut-Off, 1/2 FNPT x 1/2 FNPT	153796	1
M5	Fitting, Brass, 1/2 MNPT x 1/4 Compression Fit	157563	1
M6	Tube, 1/4 OD Copper	157564	2'